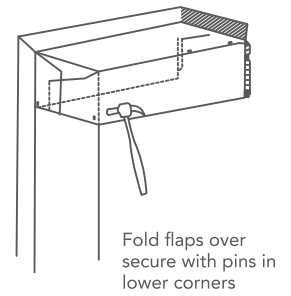
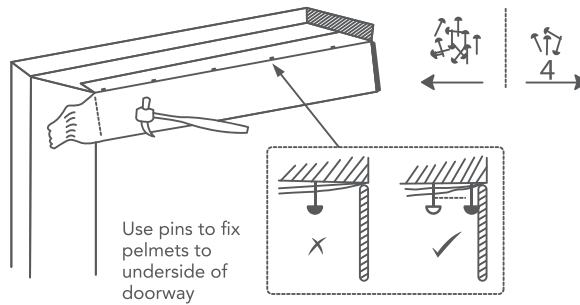
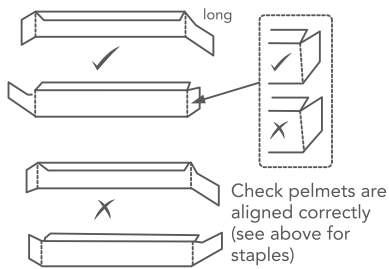


PREMIUM VINYL CLOTH DOOR INSTALLATION INSTRUCTIONS

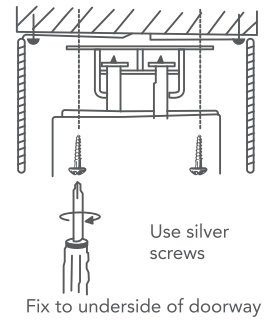
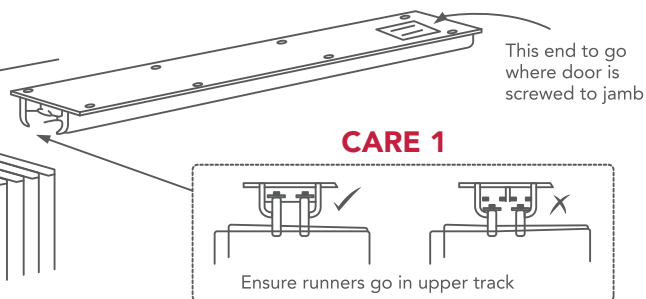
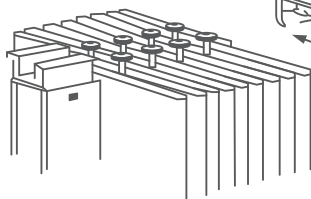


1. PELMETS



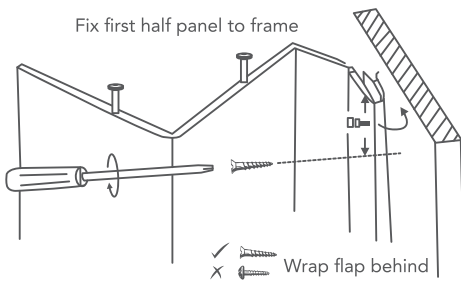
2. TRACK

Bunch up door & slide track over runners

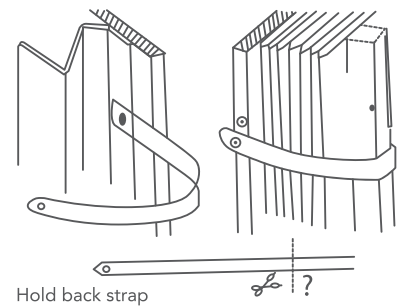
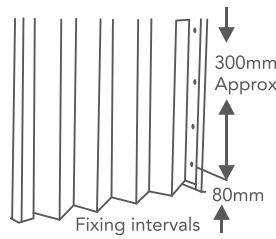


3. DOOR

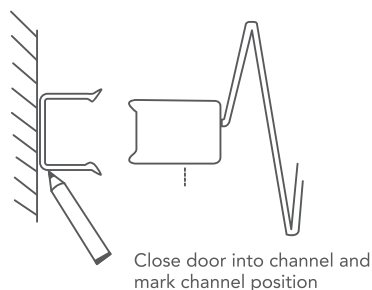
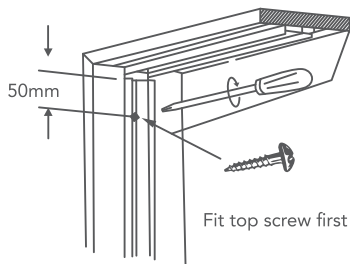
Fix first half panel to frame



Fixing Intervals:
Star fixing 80mm from bottom & at intervals of approx 300mm as shown



4. CHANNEL



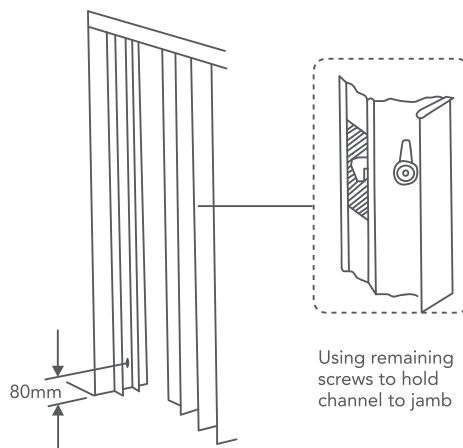
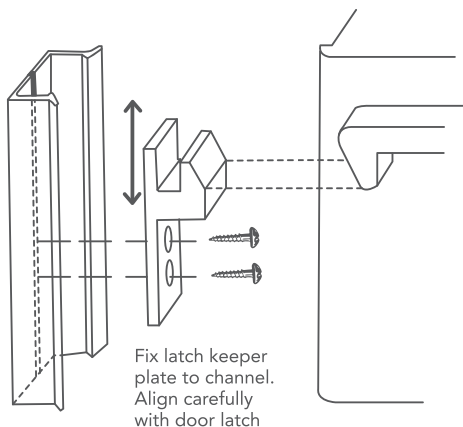
**SEE OVER PAGE FOR
FITTING OF
OPTIONAL EXTRA
LATCHES & LOCKS**

PREMIUM VINYL CLOTH DOOR

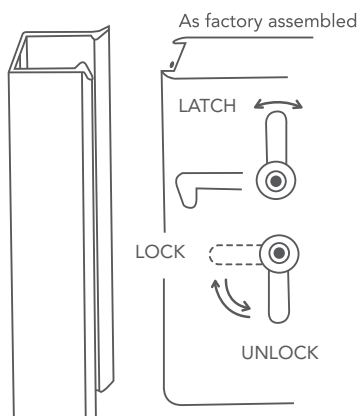
OPTIONAL EXTRAS



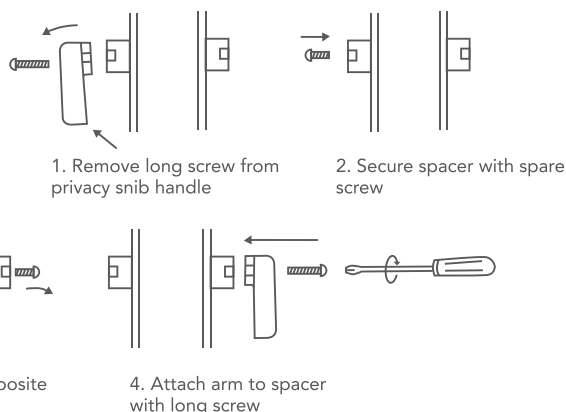
1. POSITIVE LATCH



2. LATCH & PRIVACY SNIB



To change privacy snib side, follow this sequence carefully



3. COMMERCIAL KEYLOCK

