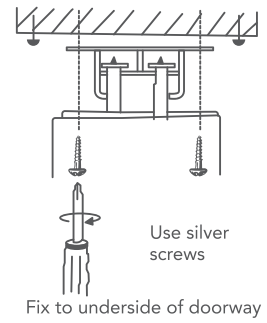
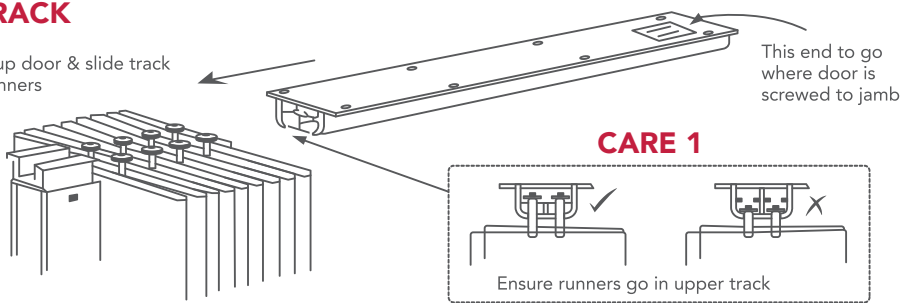


# STANDARD VINYL DOOR INSTALLATION INSTRUCTIONS



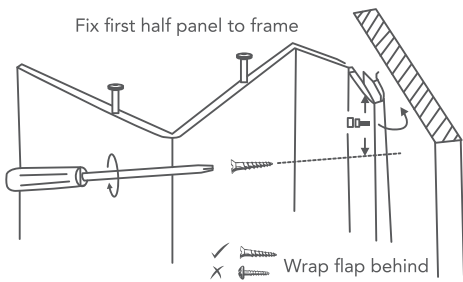
## 1. TRACK

Bunch up door & slide track over runners

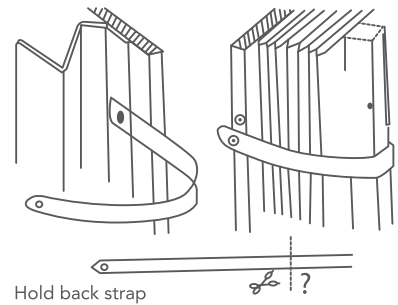
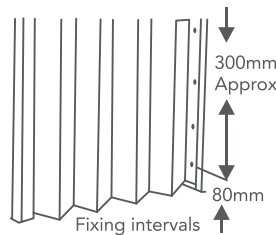


## 2. DOOR

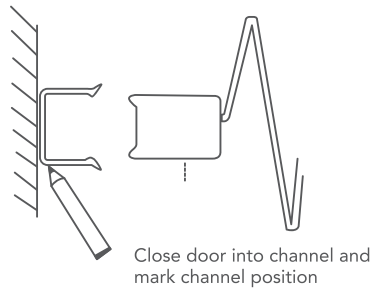
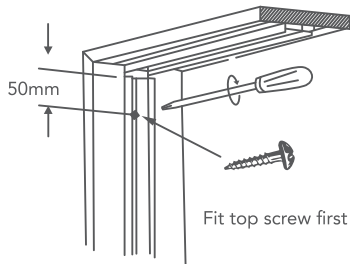
Fix first half panel to frame



Fixing Intervals:  
Star fixing 80mm from bottom & at intervals of approx 300mm as shown



## 3. CHANNEL



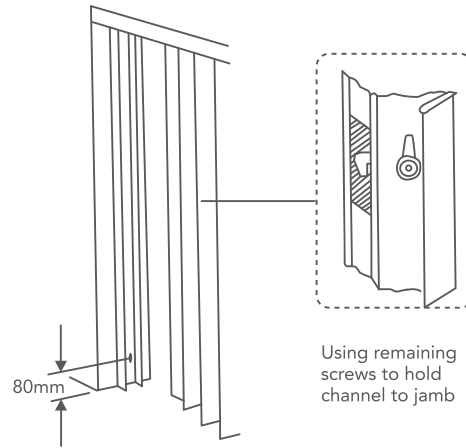
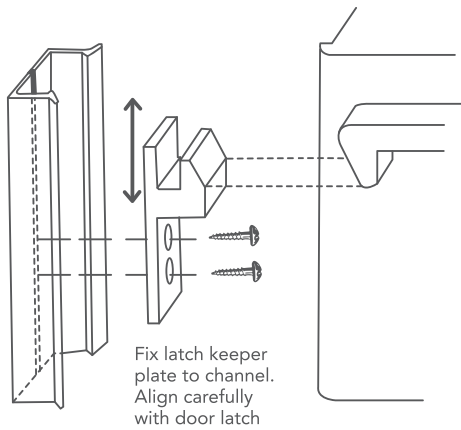
**SEE OVER PAGE FOR  
FITTING OF  
OPTIONAL EXTRA  
LATCHES & LOCKS**

# STANDARD VINYL DOOR

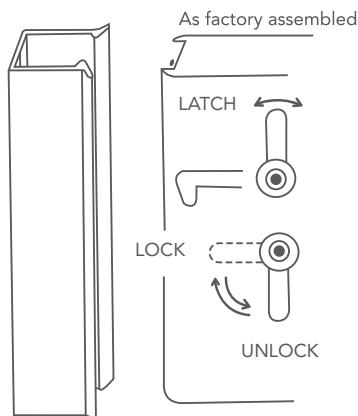
## OPTIONAL EXTRAS



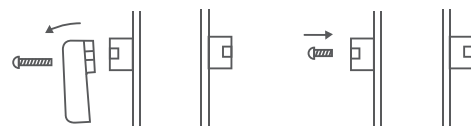
### 1. POSITIVE LATCH



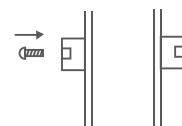
### 2. LATCH & PRIVACY SNIB



To change privacy snib side, follow this sequence carefully



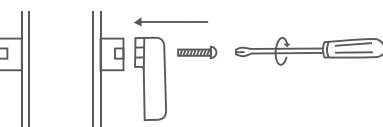
1. Remove long screw from privacy snib handle



2. Secure spacer with spare screw



3. Remove opposite spacer screw



4. Attach arm to spacer with long screw

### 3. COMMERCIAL KEYLOCK

